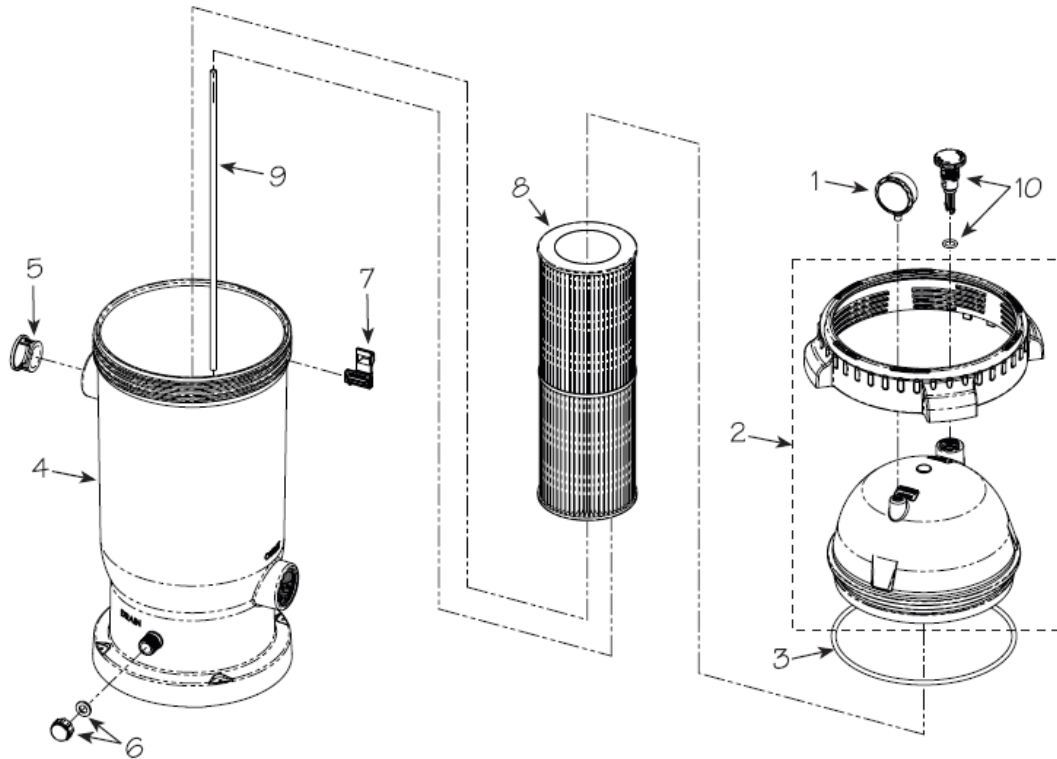


**PRO-CLEAN REPLACEMENT PARTS**



**PRO-CLEAN CARTRIDGE REPLACEMENT PARTS**

ITEM	PART NO.	DESCRIPTION
1	830-3000	Pressure Gauge
2	550-0210	Filter Lid & Lock-Ring Assembly f/75 - 100 Sq. Ft.*
	550-0220	Filter Lid & Lock-Ring Assembly f/125 - 150 - 200 Sq. Ft.*
3	805-0448	Lid O-Ring
4	550-0200	Filter Body**
5	519-0220	Water Diverter
6	550-0240	Drain Cap w/Gasket Assembly
7	602-0210	Safety Latch
8	817-0075P	75 sq. Ft. Filter Cartridge
	817-0100P	100 sq. Ft. Filter Cartridge
	817-0125P	125 sq. Ft. Filter Cartridge
	817-0150P	150 sq. Ft. Filter Cartridge
	817-0200P	200 sq. Ft. Filter Cartridge
9	872-2130A	Air Bleed Tube f/ 75 - 100 Sq. Ft.
	872-2130B	Air Bleed Tube f/125 - 150 - 200 Sq. Ft.
10	600-0200	Air Release Valve w/O-Ring

\* Includes Item Numbers 2, 3 & 10.

\*\* Includes Item Numbers 4, 5, 6 & 7.