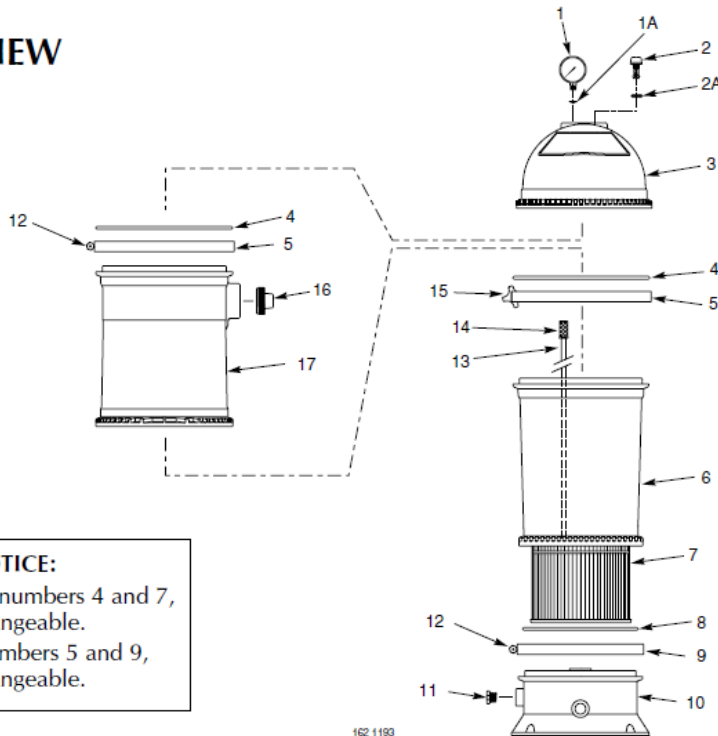


Sta-Rite Posi-Flo II filter parts diagram for PTM50, PTM70, PTM100, PTM135

EXPLODED VIEW



NOTICE:
 "O" Rings, key numbers 4 and 7,
 are not interchangeable.
 Clamps, key numbers 5 and 9,
 are not interchangeable.

REPAIR PARTS LIST

Key No.	Part Description	No. Used	Model PTM50	Model PTM70	Model PTM100	Model PTM135
1	Pressure Gauge	1	15060-0000T	15060-0000T	15060-0000T	15060-0000T
1A	Screen	1	WC8-72D	WC8-72D	WC8-72D	WC8-72D
2	Air Release Valve Ass'y	1	25010-0200	25010-0200	25010-0200	25010-0200
2A	O-Ring	1	U9-359	U9-359	U9-359	U9-359
3	Lid Ass'y (Includes Nos. 1, 1A, 2, and decals)	1	25010-9201	25010-9201	25010-9202	25010-9201
4	"O" Ring *	1	31935-0001	31935-0001	31935-0001	31935-0001
5	Clamp*	1	25010-9101	25010-9101	25010-9101	25010-9101
6	Lower Tank Body	1	25010-0001	25010-0001	25010-0001	25010-0001
7	Filter Element	1	WC108-56S2X	WC108-57S2X	WC108-58S2X	WC108-70S2X
8	"O" Ring	1	WC9-3	WC9-3	WC9-3	WC9-3
9	Clamp	1	25010-9100	25010-9100	25010-9100	25010-9100
10	Base w/Pipe Plugs	1	WC104-78P	WC104-78P	WC104-78P	WC104-78P
11	Pipe Plug	2	WC78-38T	WC78-38T	WC78-38T	WC78-38T
12	Clamp Nut*	1	WC36-1	WC36-1	WC36-1	WC36-1
13	Air Bleed Tube	1	25010-0007	25010-0007	25010-0008	25010-0010
14	Air Bleed Filter	1	WC8-35	WC8-35	WC8-35	WC8-35
15	Clamp Knob	1	WC36-22	WC36-22	WC36-22	WC36-22
16	Plug	1	—	—	—	36305-4032T
17	Upper Tank Body	1	—	—	—	25005-0001
•	Model Decal	1	32155-4040	32155-4041	32155-4042	32155-4066
•	Warning Decal	1	32155-4049	32155-4049	32155-4049	32155-4049
•	Instruction Decal	1	32155-4075	32155-4075	32155-4075	32155-4075
•	Clamp Hazard Decal**	1	WC27-19	WC27-19	WC27-19	WC27-19
•	Air Release Warning Decal**	2	WC27-23	WC27-23	WC27-23	WC27-23
•	Decal: "DO NOT USE PIPE DOPE"	1	WC27-27	WC27-27	WC27-27	WC27-27
•	Decal: "Top Clamp"	1	32165-4036	32165-4036	32165-4036	32165-4036

•Not Illustrated * Model PTM135 uses 2 ** Model PTM135 uses 3.