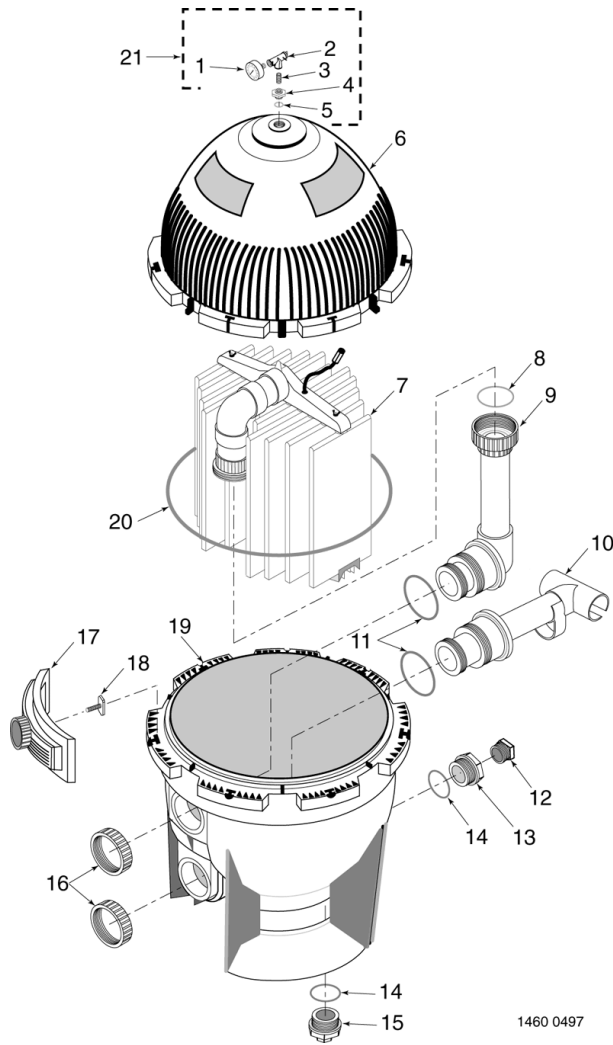


Sta-Rite System 3 SD Series D.E. Filter parts diagram: Models S7D75 and S8D110



## Replacement Parts

### SYSTEM 3 D.E. FILTERS

Item No.	Part No.	Description
1	15060-0000T	Pressure Gauge 2 in.

2	WC212-120P	Air Release Valve
3	35202-0959	Nipple
4	24900-0504	Adapter Bushing
5	35505-1423	O-Ring
6	24851-9000	Upper Tank Half Kit
6	24851-9001	Upper Tank Half Kit S8D110
7	23900-1220S	Filter Assembly S7D75
7	23900-1221S	Filter Assembly S8D110
8	U9-362	Union O-Ring
9	23911-0102	Outlet Assembly
10	23911-0100	Inlet Assembly, S7D75
10	23911-0101	Inlet Assembly, S8D110
11	35505-1425	O-Ring
12	27001-0022	1-1/2 in. Plug
13	24900-0509	Adapter fitting
14	35505-1424	O-Ring
15	24900-0503	Sand Removal
16	24752-0050	Bulkhead Retaining Nut
17	24850-0200	Clamp Assembly <sup>1</sup>
18	24850-0010	Clamp Bolt <sup>1</sup>

19	24850-0102S	Lower Tank Half S7D75
19	24851-0103S	Lower Tank Half, 25" Filter S8D110
20	24850-0008	Tank O-Ring S7D75
20	24850-0009	Cord Ring S8D110
21	24850-0105	Valve & Gauge Assembly (Includes # 8, 9, 11, 16)

**NOT SHOWN**

<b>Item No.</b>	<b>Part No.</b>	<b>Description</b>
	24850-0016	Clamp Retaining Ring
	U212-252DS	Brass Deluxe Air Bleed (optional)
	25021-1021	System3 DE Conversion Kit (Includes # 8, 9, 10, 11, 16) - S8D75
	25021-1025	System3 DE Conversion Kit (Includes # 8, 9, 10, 11, 16) - S8D110

1: Model S7D75 uses seven (7) clamps and bolts; Model S8D110 uses eight (8).