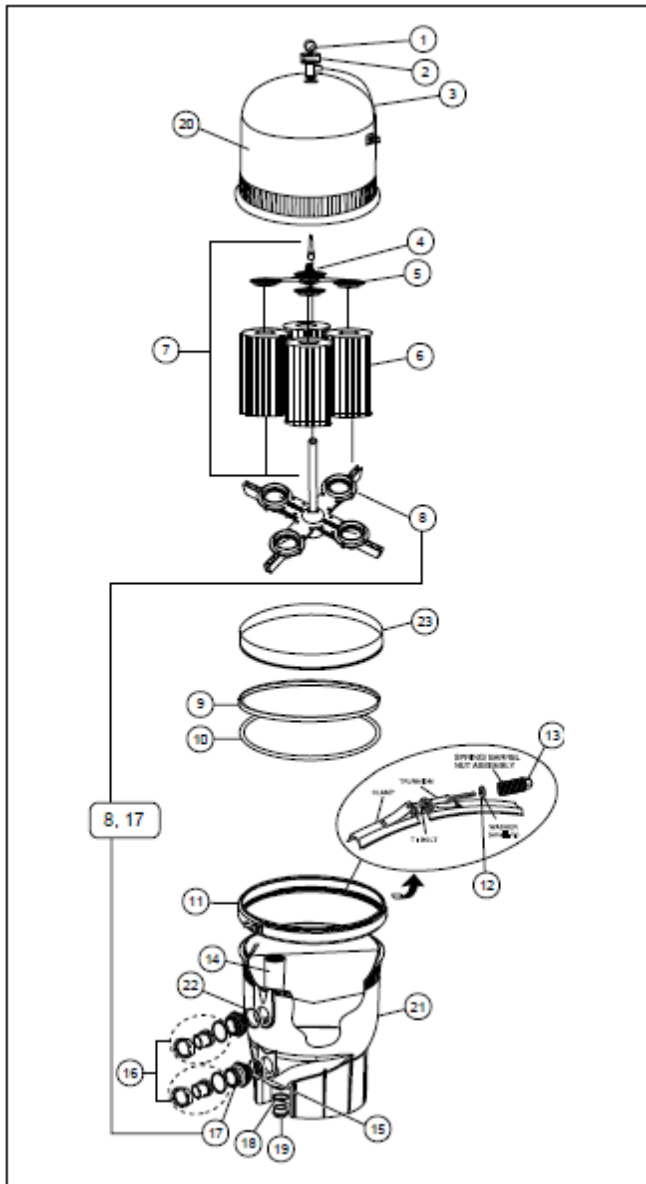


Pentair Clean and Clear Plus parts diagram:



Replacement Parts

Item No.	Part No.	Description	Item No.	Part No.	Description
1	190058	Gauge, pressure, ¼ in.	12	195610	Washer, small I.D. ②
2	98209800	High Flow™ manual air relief valve (HFMARV)	12a	195611	Washer, large I.D. ②
3	98201200	Hose and retainer clips for HFMARV (Optional accy.)	13	194997	Nut, machined ②
4	56636900	Spring, compression ①	13a	195612	Spring ②
4	178616	Spring, compression ②	14	55035000	Baffle, bulkhead assy. ①
5	59071000	Manifold, top assy. ①	14	190039	Baffle, bulkhead assy. ②
5	170026	Manifold, top assy., 240 sq. ft. ②	15	86006900	O-ring, bulkhead, lower
5	170027	Manifold, top assy., 320 & 520 sq. ft. ②	16	98960311	Bulkhead union, (set) ①
6	R173572	Cartridge Element, 240 sq. ft., 4 req.	16	271096	Bulkhead union, 1 ½ in. x 2 in. (set), white ②
6	R173573	Cartridge Element, 320 sq. ft., 4 req.	16	270004	Bulkhead union, 1 ½ in. x 2 in. (set), black ②
6	R173574	Cartridge Element, 360 sq. ft., 4 req.	17	59019200	Pipe assy., outlet ①
6	R173575	Cartridge Element, 420 sq. ft., 4 req. aqua end caps ①	17	170035	Pipe assy., outlet/manifold, bottom ②
6	R173576	Cartridge Element, 420 sq. ft., 4 req. ②	17	170036	Pipe assy., outlet ②
6	R173577	Cartridge element, 520 sq. ft., 4 req. ②	18	51005000	O-ring for drain plug
6	R173578	Cartridge element, 520 sq. ft., 4 req. ②	19	86202000	Plug, 1-1/2 in. drain with O-ring
7	170030	Air bleed tube assy., 240 sq. ft.	20	170023	Tank, lid assy., 240 sq. ft.
7	55028500	Air bleed tube assy., 360, 420 sq. ft. ①	20	170024	Tank, lid assy., 320 sq. ft.
7	170029	Air bleed tube assy., 320 sq. ft. ②	20	178552	Tank, lid assy., 360 sq. ft.
7	170028	Air bleed tube assy., 420 sq. ft. ②	20	178551	Tank, lid assy., 420 sq. ft. ①
7	55028400	Air bleed tube assy., 500 sq. ft. ①	20	178581	Tank, lid assy., 420 sq. ft. ②
7	178583	Air bleed tube assy., 520 sq. ft. ②	20	178550	Tank, lid assy., 500 sq. ft. ①
8	56626800	Manifold, bottom ①	20	178582	Tank, lid assy., 520 sq. ft. ②
8	170035	Manifold, bottom/pipe assy., outlet ②	21	178559	Tank, bottom assy. ①
8	170040	Manifold, bottom ②	21	178578	Tank, bottom assy. ②
9	57000300	Gasket, bottom manifold ①	22	86006900	O-ring, bulkhead, upper ②③
10	39010200	O-ring, tank clamp (.470 O.D.)	22	192320	O-ring, bulkhead, upper ②
11	190003	Clamp kit, tension control	23	195339	Ring, back-up ②
				192019	Drain plug wrench
				010126	Filter lid opener tool

①	Before	11/98
②	After	11/98
③	Between	11/98 thru 12/00
④	After	12/00
⑤	After	3/03
⑥	After	10/04
⑦	Between	11/98 thru 10/04