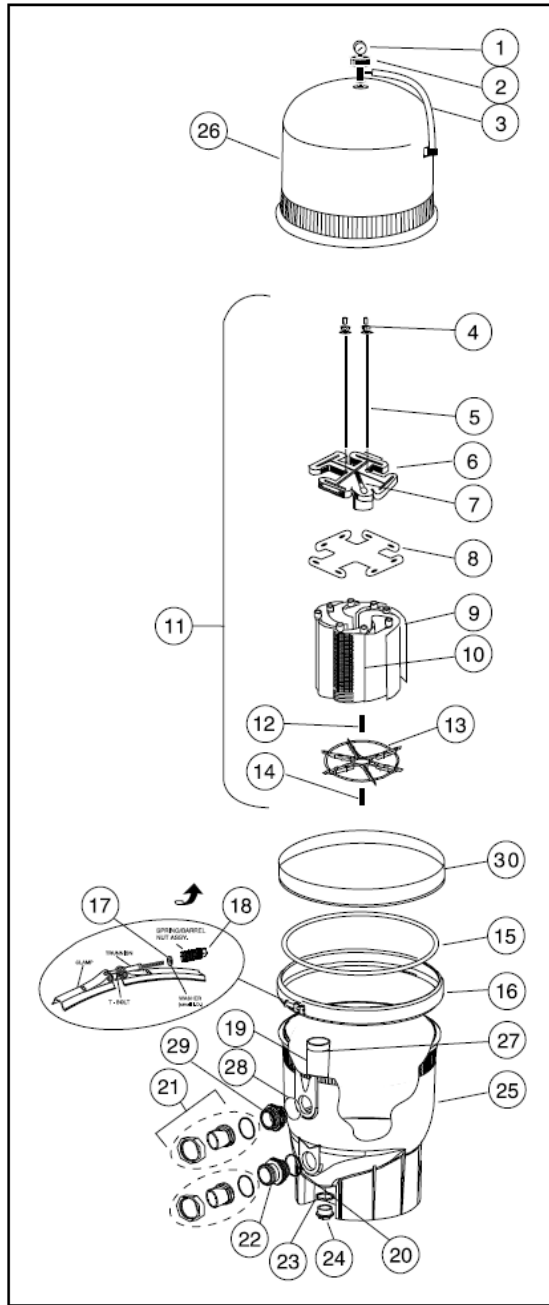


Parts Diagram for Pentair FNS Plus DE Filter Models: FNSP 24, FNSP 36, FNSP 48, and FNSP 60

A. FNS® PLUS TANK ASSY.



Item No.	Part No.	Description
1	53003201	Gauge, pressure
2	98209800	High Flow Manual Air Relief Valve (HFMARV)
3	98201200	Hose and retainer dips for HFMARV (Optional accy.)
4	58001100	Nut, knurled brass
5	59000800	Tie Rod, 24 sq. ft. filter
5	59001500	Tie Rod, 36 sq. ft. filter
5	59002100	Tie Rod, 48 sq. ft. filter
5	59002700	Tie Rod, 60 sq. ft. filter
6	59023700	Manifold, top with air bleed
7	59023600	Internal air bleed assembly
8	98725800	Template, filter
9	59001100	Grid, lg. 12 in., 24 sq. ft. filter
9	59001800	Grid, lg. 18 in., 36 sq. ft. filter
9	59002400	Grid, lg. 24 in., 48 sq. ft. filter
9	59003000	Grid, lg. 30 in., 60 sq. ft. filter
10	59001000	Grid, sm. 12 in., 24 sq. ft. filter
10	59001700	Grid, sm. 18 in., 36 sq. ft. filter
10	59002300	Grid, sm. 24 in., 48 sq. ft. filter
10	59002900	Grid, sm. 30 in., 60 sq. ft. filter
11	59023800	Assy., element grid, complete, 24 sq. ft. filter
11	59023500	Assy., element grid, complete, 36 sq. ft. filter
11	59023400	Assy., element grid, complete, 48 sq. ft. filter
11	59023300	Assy., element grid, complete, 60 sq. ft. filter
12	98211400	Nut, 1/4-20, plated brass
13	59000500	Spider, grid locator
14	58001000	Nut, lock, hex, nylon
15	39010200	O-ring, tank clamp (.470 O.D.)
16	190003	Clamp, kit
17	195610	Washer, small I.D.
17a	195611	Washer, large I.D.
18	194997	Nut, machined
18a	195612	Spring
19	190034	Assy., standpipe, outlet, 24 sq. ft. filter
19	190035	Assy., standpipe, outlet, 36 sq. ft. filter
19	190036	Assy., standpipe, outlet, 48 sq. ft. filter
19	190037	Assy., standpipe, outlet, 60 sq. ft. filter
20	86006900	O-ring, bulkhead
21	271096	Bulkhead union (set)
22	190043	Assembly, pipe, inlet
23	51005000	O-ring for drain plug
24	86202000	Plug, 1 1/2 in. drain, with O-ring
25	170015	Tank, bottom, assy., 24 sq. ft. filter
25	170016	Tank, bottom, assy., 36 sq. ft. filter
25	170017	Tank, bottom, assy., 48 sq. ft. filter
25	170018	Tank, bottom, assy., 60 sq. ft. filter
26	170019	Lid, assy., 24 sq. ft. filter
26	170020	Lid, assy., 36 sq. ft. filter
26	170021	Lid, assy., 48 sq. ft. filter
26	170022	Lid, assy., 60 sq. ft. filter
27	192320	O-ring, bulkhead
28	59000600	O-ring 2-137 Buna N 70SH
29	194801	Bulkhead, 2 in.
30	195339	Ring, back-up