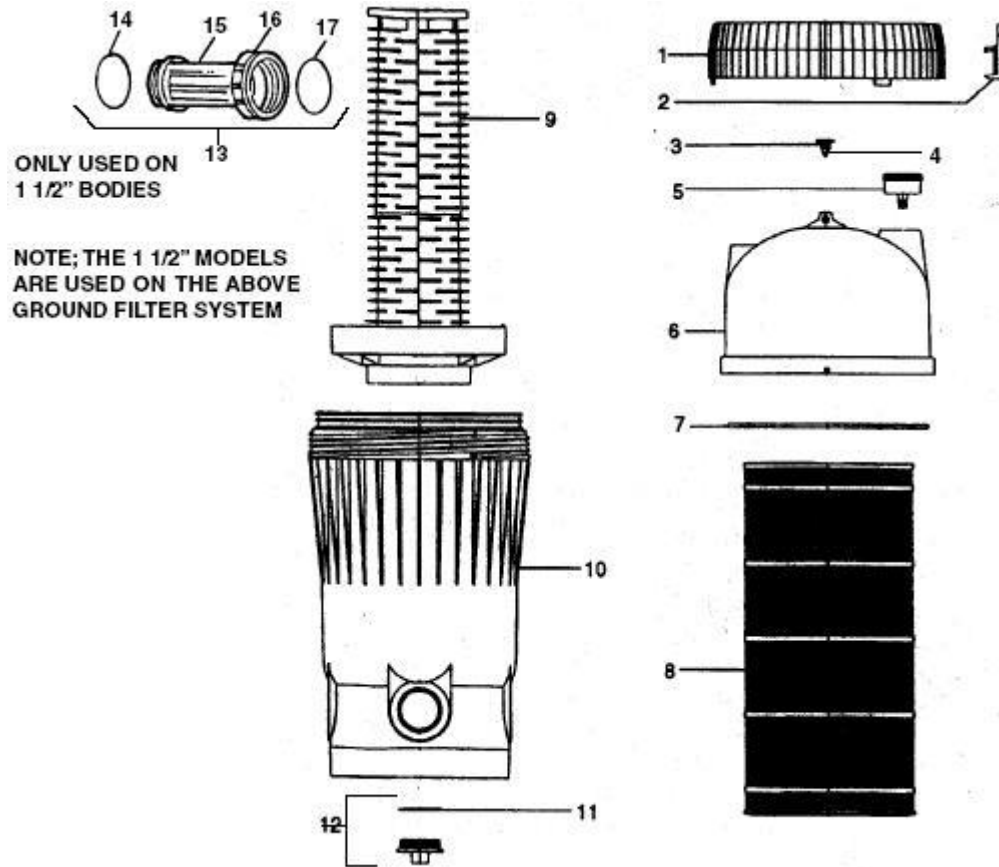


Jacuzzi Sherlock Series Pool Filter Parts Diagram

For models SHER 80, SHER 120, SHER 160, and SHER 200



Item no:	Part no:	Description
1	42367102R000	Filter Locking Ring (Unavailable)
2	42367706R000	Cover Latch (Unavailable)
3	39254701R000	Valve, Air Bleeder (Unavailable)
4		O-ring (Unavailable)
5	80960BU	Back Mount Pressure Gauge
6	42285205R	Filter cover – 80 sq. ft (Unavailable)
6	42299800R	Filter cover – 120 sq. ft. (Unavailable)
6	42361000R	Filter cover – 160 sq. ft. (Unavailable)

6	42361101R	Filter cover – 200 sq. ft. (Unavailable)
7	O-413-9	Tank o-ring
8	C-9480 or PJ80-4	80 sq. ft. filter cartridge for SHER 80
8	C-9481 or PJ120-4	120 sq. ft. filter cartridge for SHER 120
8	C-9482 or PJ160-4	160 sq. ft. filter cartridge for SHER 160
8	C-9483 or PJ200S-4	200 sq. ft. filter cartridge for SHER 200
9	42294603R	Dirt Catcher, 80 sq. ft. (Unavailable)
9	42294702R	Dirt Catcher, 120 sq. ft. (Unavailable)
9	42373902R	Dirt Catcher, 160 sq. ft. (Unavailable)
9	42374009R	Dirt Catcher, 200 sq. ft. (Unavailable)
10	42367400R	Filter Body (Unavailable)